


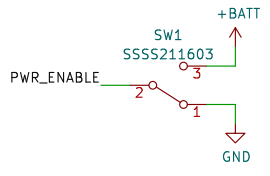


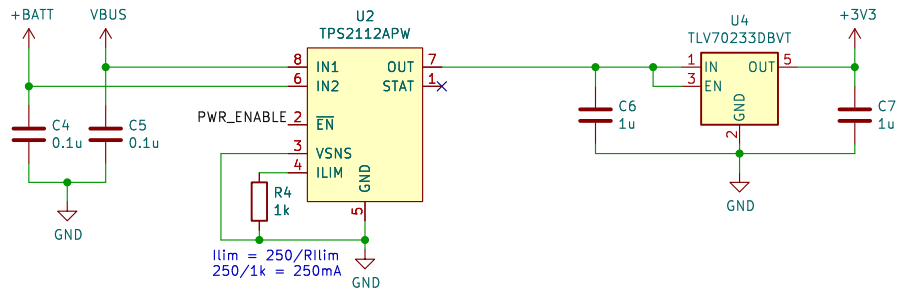
Mechanical

-  H1 MountingHole
-  H2 MountingHole
-  H3 MountingHole
-  H4 MountingHole

Sheet: /	
File: ultramote.kicad_sch	
Title: LoRaMote	
Size: A4	Date: 2022-05-03
KiCad E.D.A. kicad-cli 7.0.5.1-1-g8f565ef7f0-dirty-deb11	Rev: v0.2
	Id: 1/4



On/Off Switch



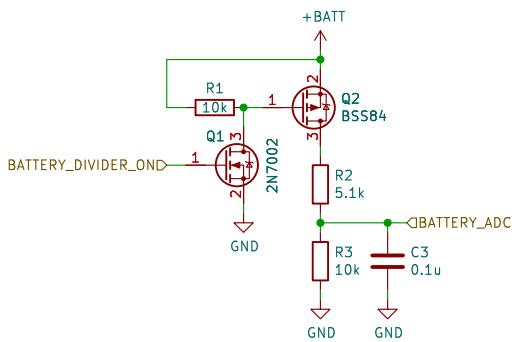
$$I_{lim} = 250/R_{lim}$$

$$250/1k = 250mA$$

Poor part availability of TPS2112APW:
 Can be replaced by the more easily sourceable TPS2110APW
 which does not have a status output but needs Pin 1 high/floating
 Jumper open = TPS2110APW
 Jumper closed = TPS2112APW

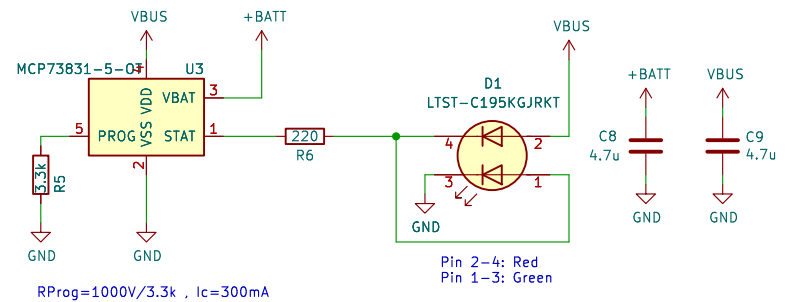
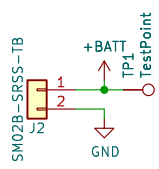
Power Mux & LDO

ADC Voltage Divider



Circuit to switch on voltage divider only when ADC is active
 to not drain the battery when device is powered off

LiPo Battery

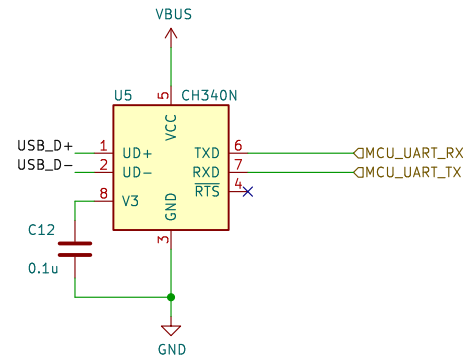
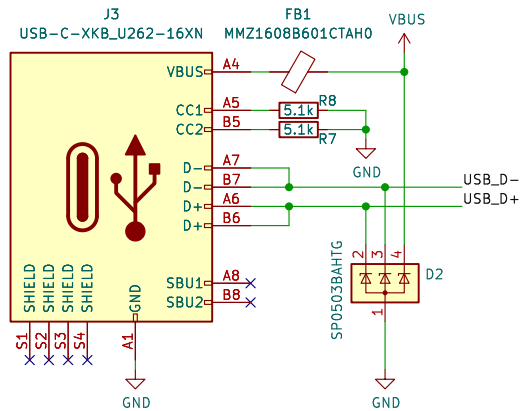
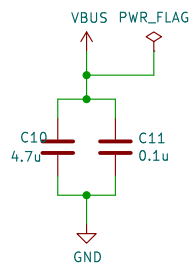


Pin 2-4: Red
 Pin 1-3: Green
 RProg=1000V/3.3k , Ic=300mA

LiPo Charger

Sheet: /power/
 File: power.kicad_sch

Title:		Rev: v0.2	
Size: A4	Date: 2023-02-02		
KiCad E.D.A. kicad-cli 7.0.5.1-1-g8f565ef7f0-dirty-deb11		Id: 2/4	



Sheet: /USB/
File: usb.kicad_sch

Title:

Size: A4

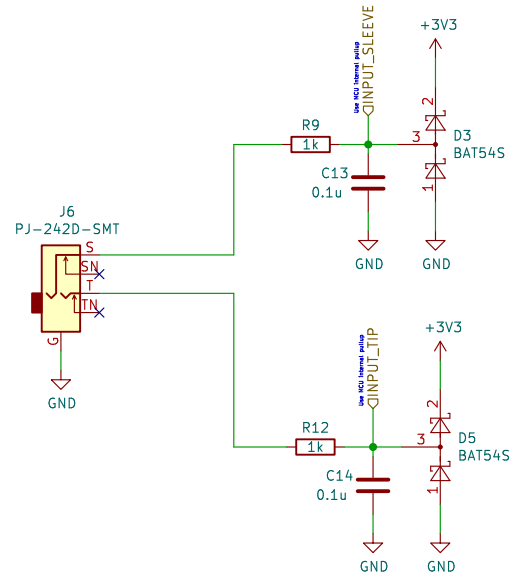
Date:

Rev:

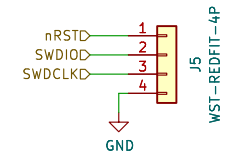
KiCad E.D.A. kicad-cli 7.0.5.1-1-g8f565ef7f0-dirty-deb11

Id: 3/4

2.5mm Input Jack

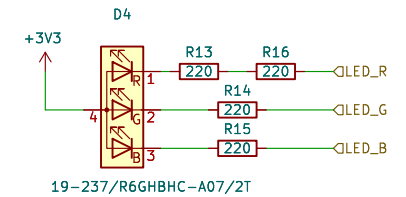
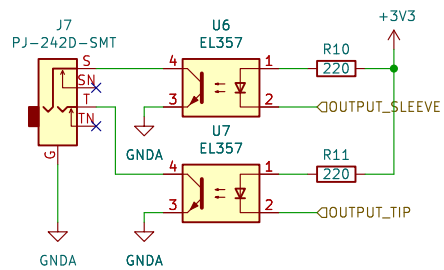


Input Protection for MCU pins in case a high-voltage output is accidentally connected to the input jack



Debug Connector

2.5mm Output Jack



Status LED

Sheet: /GPIO/
File: gpio.kicad_sch

Title:

Size: A4

Date: 2023-06-19

Rev: v0.3

KiCad E.D.A. kicad-cli 7.0.5.1-1-g8f565ef7f0-dirty-deb11

Id: 4/4